

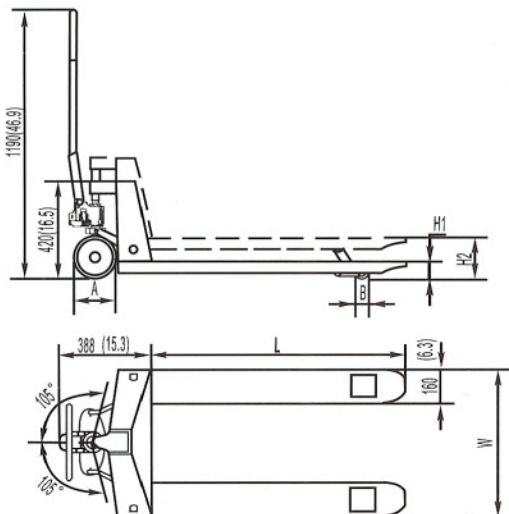
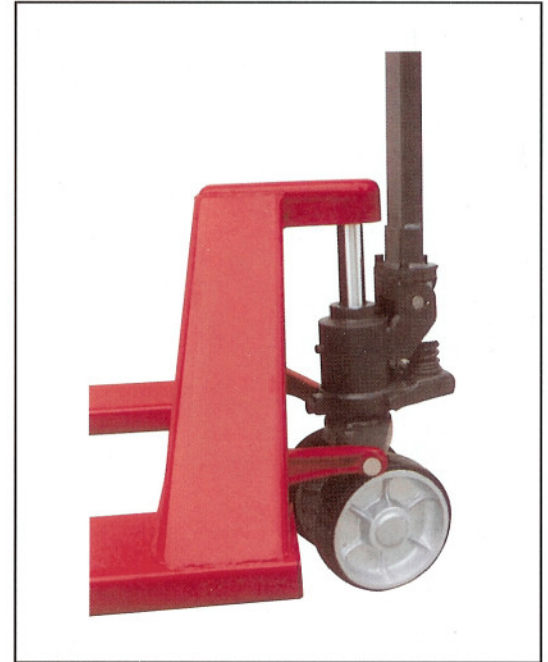
HELL

PALLET TRUCKS

CE



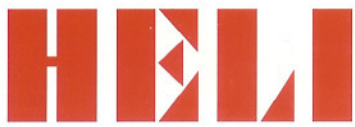
MODEL A



Technical data

Capacity	Kg (lbs)	2500 (5500)
Lowered fork height H1	mm (")	80/75/65 (3.2/3/2.5)
Total lift height H2	mm (")	200/195/185 (7.9/7.7/7.3)
Fork length L	mm (")	810/980/1070/1220 (32/38.6/42.1/48)
Width over the forks W	mm (")	520/685 (20.5/27)
Steering wheel A	mm (")	ø180 (ø7)
Fork wheel B	mm (")	ø78/ø70/ø65 (ø3.1/ø2.7/ø2.5)
Truck weight	Kg (lbs)	65~85 (143~187)

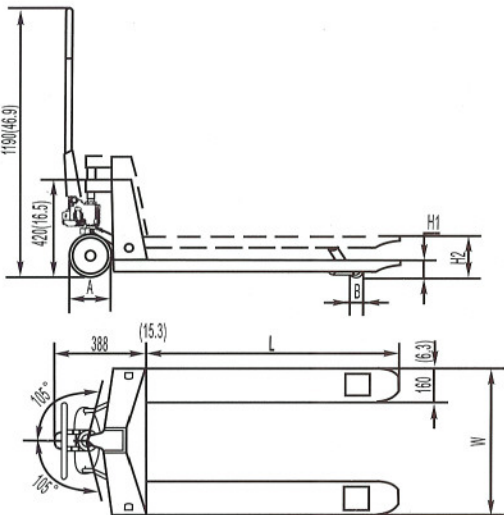
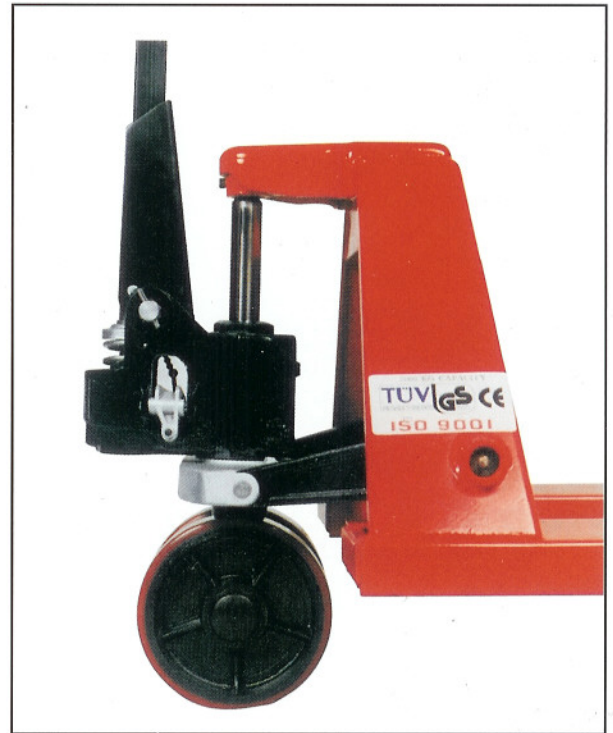
Remarks: It has single Fork wheel and dual Fork wheels to be selected by consumers



PALLET TRUCKS



MODEL B



Technical data

Capacity	Kg (1bs)	2000/2500 (4400/5500)
Lowered fork height H1	mm (")	85/75/60 (3.3/3/2.4)
Total lift height H2	mm (")	200/190/150 (7.9/7.5/5.9)
Fork length L	mm (")	900/1000/1100/1220 (35.4/39.3/43.3/48)
Width over the forks W	mm (")	520/550/650/685 (20.5/21.7/25.6/27)
Steering wheel A	mm (")	∅200/∅180/∅150 (∅7.9/∅7/∅5.9)
Fork wheel B	mm (")	∅80/∅74/∅58 (∅3.1/∅2.9/∅2.3)
Truck weight	Kg (1bs)	75~102 (165~225)



Remarks: It has single Fork wheel and dual Fork wheels, to be selected by consumers